

SHL MESH DISTRIBUTORS PTY LTD

UNIT 5 / 32-36 DUNHEVED CIRCUIT, ST MARYS, NSW, 2760

Tel: 02 9311 3844 02 8046 9807

Fax: 02 9311 3866 02 9673 2825



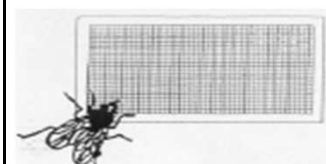
Email: shlmesh.orders@gmail.com
johnw@shlmesh.com.au

1991-2019 Shellhold - SHL MESH Distributors *New Name...Next Chapter*
 Specialty Insect Screening and Hardware Distributors

**MAJOR SUPPLIERS OF QUALITY FLYSCREENS and ACCESSORIES
 TO THE AUSTRALIAN HARDWARE INDUSTRY FOR OVER 29 YEARS**

**WE ARE HAPPY TO OPEN A 30 DAY CREDIT ACCOUNT or WE CAN CHARGEBACK TO YOUR GROUP
 (Please advise us your CHARGEBACK account number when ordering).**

FIBREGLASS FLYSCREENS:



"SHL MESH" fibreglass insect screening is:
18 x 16 mesh; PVC coated fibreglass yarn

As used by Australia's major flyscreen and security screen door & window fabricators.

2 colours: Charcoal and Grey

CODE	SIZES	COLOUR	ROLL
GC610	0.60m x 50m roll	CHARCOAL	1
GC760	0.76m x 50m roll	CHARCOAL	1
GC810	0.80m x 50m roll	CHARCOAL	1
GC910	0.90m x 50m roll	CHARCOAL	1
GC1070	1.05m x 50m roll	CHARCOAL	1
GC1220	1.20m x 50m roll	CHARCOAL	1
GC1520	1.50m x 50m roll	CHARCOAL	1
GC1830	1.80m x 50m roll	CHARCOAL	1
GC2450	2.40m x 30m roll	CHARCOAL	1
GG910	0.90m x 50m roll	GREY	1
GG1220	1.20m x 50m roll	GREY	1

For security and flyscreen doors and windows use 6mm spline (Product code: FSB603)

ALUMINIUM FLYSCREENS:

18 x 16 mesh; aluminium alloy wire mesh

E-coating

Excellent Weathering Characteristics

CAN USE IN BUSHFIRE ZONES DESIGNATED BAL-12.5 to BAL-29

BAL-12.5, BAL-19, BAL-29 ✓ **BAL-40** ✗

CODE	SIZES	ROLL
GAB61030	0.61m x 30m roll	BLACK 1
GAB81030	0.81m x 30m roll	BLACK 1
GAB91030	0.91m x 30m roll	BLACK 1
GAB122030	1.22m x 30m roll	BLACK 1
GAB183030	1.83m x 30m roll	BLACK PHIFER - USA 1

For security and flyscreen doors and windows use 6mm spline (Product code: FSB603)

"C D K" HEAVY DUTY MESH
"CATS DOGS KIDS" PROOF MESH

15 x 11 mesh; PVC coated, dacron / polyester yarn
 Upgrade your security door with a STRONGER mesh

CODE	SIZES			ROLL
GP810	0.81m x 30m	BLACK	ROLLS	1
GP910	0.91m x 30m	BLACK	ROLLS	1
GP1220	1.22m x 30m	BLACK	ROLLS	1
GP1520	1.52m x 30m	BLACK	ROLLS	1
GP1830	1.83m x 30m	BLACK	ROLLS	1

For security and flyscreen doors and windows use 5.4mm spline (Product code: FSB543)

"C D K" mini rolls / door packs

Suitable for 1 x standard height flyscreen door **CTN BUY**

2.05m Heavy duty mesh - MINI ROLLS

GCDK09	0.91m x 2.05m			12 pcs
GCDK12	1.22m x 2.05m			12 pcs

"Pet Mesh PLUS" SCREENING

THE NEXT GENERATION IN PET MESH...

**All the best features of heavy duty dacron mesh...
 but specified with smaller holes.**

PVC coated, dacron / polyester yarn

PERFECT FOR DOORS, WINDOWS & SCREEN ENCLOSURES.

Improved visibility, easier to install.

Still retains the superior strength over standard fibreglass insect mesh.

CODE **SIZES** **ROLL**

GP161609	0.91m x 30m	BLACK	ROLLS	1
GP161612	1.22m x 30m	BLACK	ROLLS	1
GP161615	1.52m x 30m	BLACK	ROLLS	1
GP161621	2.13m x 30m	BLACK	ROLLS	1

For security and flyscreen doors and windows use 6mm spline (Product code: FSB603)

looks like standard
 fibreglass mesh but
STRONGER!!

"micro" INSECT SCREENING

20 x 25 mesh; PVC coated fibreglass yarn

Even smaller holes to stop the sandflies,
 fruitflies, mosquitos and other minute insects
 when the standard insect screening will not.

Ideal for use in screen enclosures.

CODE **SIZES** **ROLL**

GC202509	0.91m x 30m roll	500 mesh		1
GC202512	1.20m x 30m roll	500 mesh		1
GC202524	2.40m x 30m roll	500 mesh		1

For security and flyscreen doors and windows use 6mm spline (Product code: FSB603)

stops everything
 except the
BREEZE!!

BUSHFIRE PROOF INSECT SCREENING

AS RECOMMENDED TO COMPLY WITH AUSTRALIAN STANDARD AS3959-2009.
 BUSHFIRE ATTACK LEVELS AND CORRESPONDING SECTIONS FOR
 SPECIFIC CONSTRUCTION REQUIREMENTS.

BAL-12.5 to BAL-29 - ALUMINIUM & STAINLESS STEEL SCREENS

BAL-40 to BAL-FZ - ONLY STAINLESS STEEL SCREENS

PLEASE CHECK WITH COUNCILS ON BAL RATINGS



MIGHTYSCREEN™

STAINLESS STEEL INSECT SCREENING

18 x 16 mesh; powder coated stainless steel wire mesh

FURNACE TESTED UP TO 1000°C

BAL-12.5, BAL-19, BAL-29 ✓

BAL-40 ✓

CODE

SIZES

ROLL

STAINLESS STEEL GRADE 304

All round performance at an affordable price.

GWS1961	0.61m x 30m roll	BLACK	1
GWS1976	0.76m x 30m roll	BLACK	1
GWS1981	0.81m x 30m roll	BLACK	1
GWS1991	0.91m x 30m roll	BLACK	1
GWS19122	1.22m x 30m roll	BLACK	1
GWS19152	1.52m x 15m roll	BLACK	1

STAINLESS STEEL GRADE 316

Marine grade stainless steel

GWS316-61	0.61m x 30m roll	BLACK	1
GWS316-76	0.76m x 30m roll	BLACK	1
GWS316-81	0.81m x 30m roll	BLACK	1
GWS316-91	0.91m x 30m roll	BLACK	1
GWS316-122	1.22m x 30m roll	BLACK	1
GWS316-152	1.52m x 30m roll	BLACK	1

For security and flyscreen doors and windows use 5.4mm spline (Product code: FSB543)

Regular washing is necessary to protect the mesh from the harsh Australian environment.

* SHL MESH SPECIAL OFFER is

BUY 4 or more rolls of ANY combination of mesh size and material to get the special price.

i.e. fibreglass, aluminium, heavy duty pet screens, pet mesh plus, micro mesh or stainless steel.

Does not apply to the Mini roll range.

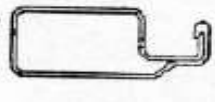
FLYSCREEN ACCESSORIES

25mm x 11mm Flyscreen Framing

ROLL FORM
 2.5m LENGTH
 BAR CODED

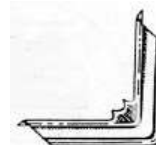
CODE	COLOUR	LENGTH	BDL BUY
FF25WH	WHITE	2.5m	30
FF25NA	NATURAL ANODISED	2.5m	30
FF25BR	BROWN	2.5m	30
FF25PR	PRIMROSE	2.5m	30
FF25BL	BLACK	2.5m	30
FF25BZ	BRONZE	2.5m	30
FF25HG	HAWTHORN GREEN	2.5m	30

Other colours may be available. Price on application - please call.
 PLEASE NOTE: FLYSCREEN FRAMING CAN ALSO BE USED AS A SPREADER BAR



CORNER INSERTS for 25mm x 11mm Flyscreen Frame

CODE	MATERIAL	BOX QTY
FCP	PLASTIC	100
FCA	ALUMINIUM	100
PCIA	CARDED 4 ALUMINIUM	10 CARDS



SWIVEL CLIPS

CODE	COLOUR	BOX QTY
FLAT (1.6mm)		
FCS1C	CLEAR	200
FCS1W	WHITE	200
FCS1B	BROWN	200
FCS1BL	BLACK	200
OFFSET (11mm)		
FCS7C	CLEAR	200
FCS7W	WHITE	200
FCS7B	BROWN	200
FCS7BL	BLACK	200
PCC1	CARDED 8 CLEAR 1.6mm	10 CARDS
PCC7	CARDED 8 CLEAR 11mm	10 CARDS



SPLINE ROLLER

CODE	MATERIAL	BOX QTY
FRSA	PLASTIC	
PSRW	CARDED DOUBLE WHEEL WOOD HANDLE	10 CARDS



MITRE BOX

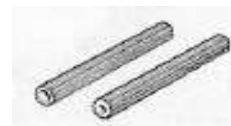
CODE	MATERIAL	BOX QTY
FMBA	ALUMINIUM	10
FMBP	PLASTIC	10



SPLINE

BLACK COLOUR

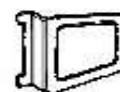
Code	Size x Length	APPLICATION	ROLL
FSB603	6.0mm x 300m	Suitable for all mesh	1
FSB543	5.4mm x 300m	Best for CDK PET mesh	1
FSB503	5.0mm x 300m		1
FSB403	4.0mm x 300m		1



PREPACKS	PACK BUY
FSP68 6.0mm x 8m	10
FSP548 5.4mm x 8m	10
FSP58 5.0mm x 8m	10
FSP48 4.0mm x 8m	10

D PULLS

CODE		BOX QTY
FDP	PVC BLACK	100
PHF	CARDED 4	10 CARDS



SPREADER BAR CLIPS / CROSS BRACE CLIPS

CODE		BOX QTY
FCSB	ALUMINIUM	100
PCBC	CARDED 4	10 CARDS

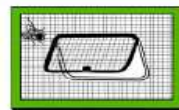


SUITABLE TO USE WITH 25 x 11 FLYSCREEN FRAMING

PLEASE NOTE: FLYSCREEN FRAMING CAN ALSO BE USED AS A SPREADER BAR

FLYSCREEN WINDOW PORTS

CODE		BOX QTY
FPWK-C	WINDOW PORT w/ TRIMMING KNIFE	10 CARDS



FLYSCREEN PLUNGER PINS

CODE		BOX QTY
PPPM4	PACK 4 METAL PLINGER PINS with SPRING	10 CARDS



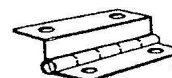
FLYSCREEN BUTT HINGE 50mm

CODE		BOX QTY
PBH	CARDED 2 Aluminium finish	10 CARDS



FLYSCREEN OFFSET BUTT HINGE 50mm

CODE		BOX QTY
POH	CARDED 2 Aluminium finish	10 CARDS



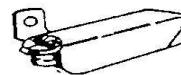
FLYSCREEN FRICTION HINGE

CODE		BOX QTY
PFH	CARDED 2 Aluminium finish	10 CARDS



FLYSCREEN ANGLE FRICTION HINGE

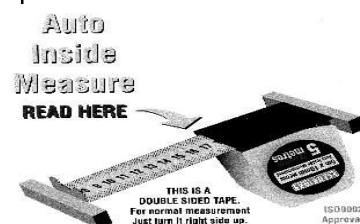
CODE		BOX QTY
PAH	CARDED 2 Aluminium finish	10 CARDS



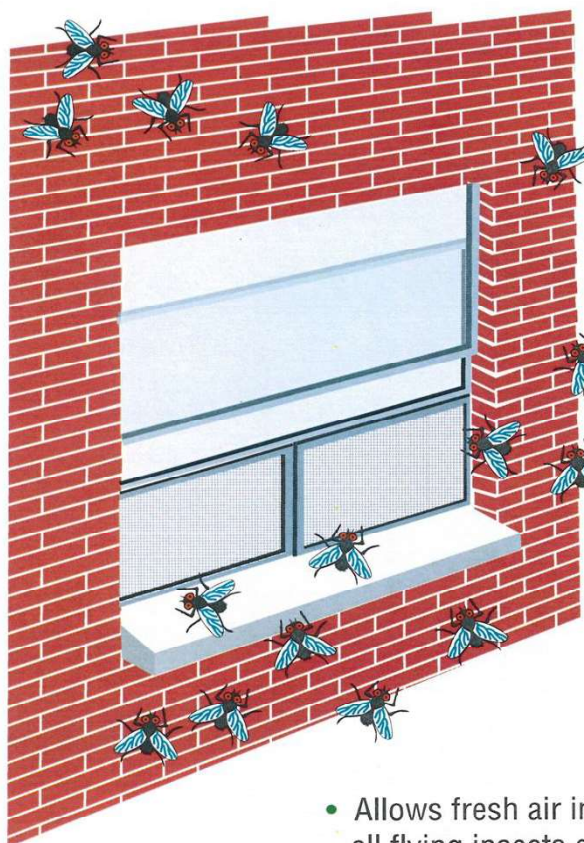
5m Dual Reading Tape Measure

Measurements printed on both sides of the blade (metric only).
 Allows instant reading of internal opening measurements.
 Perfect for measuring doors and windows.

Code	Size	BOX QTY
TFMI519	5m x 19mm	12



Adjustable Insect Screening



- Easily adjusts
- Fits any sash window
- Installs in seconds
- Aluminium frame with fibreglass mesh

- simply open the lower sash and expand the screen into the window side tracks. Lower the sash to secure.

- Allows fresh air in while effectively stopping all flying insects entering through windows.

STRONG CONSTRUCTION

WHITE COLOUR ALUMINIUM FRAME with FIBREGLASS MESH

FELT SEAL AROUND FRAME



CODE

CTN BUY

FE900	30cm x 50cm	EXPANDS TO 900mm	12
FE1200	30cm x 65cm	EXPANDS TO 1200mm	12

S H L M E S H

ARCHIE®



SAFESELECT®

Hinged Security Door Solution

WE CARE FOR YOUR SAFETY

10 YEAR MECHANICAL WARRANTY

www.archiehardware.com

S H L M E S H

SHL MESH DISTRIBUTORS PTY LTD
UNIT 5 / 32-36 DUNHEVED CIRCUIT, ST MARYS, NSW, 2760
Telephone: 02 9311 3844 Facsimile: 02 9311 3866 Email: shlmesh.orders@gmail.com

Hinge Security Door Lock - Standard Range

Application/Description

Single or Multi point hinged security or screen door lock, with **SAFESELECT**® Snibbed/Dead Lock Options for additional safety.

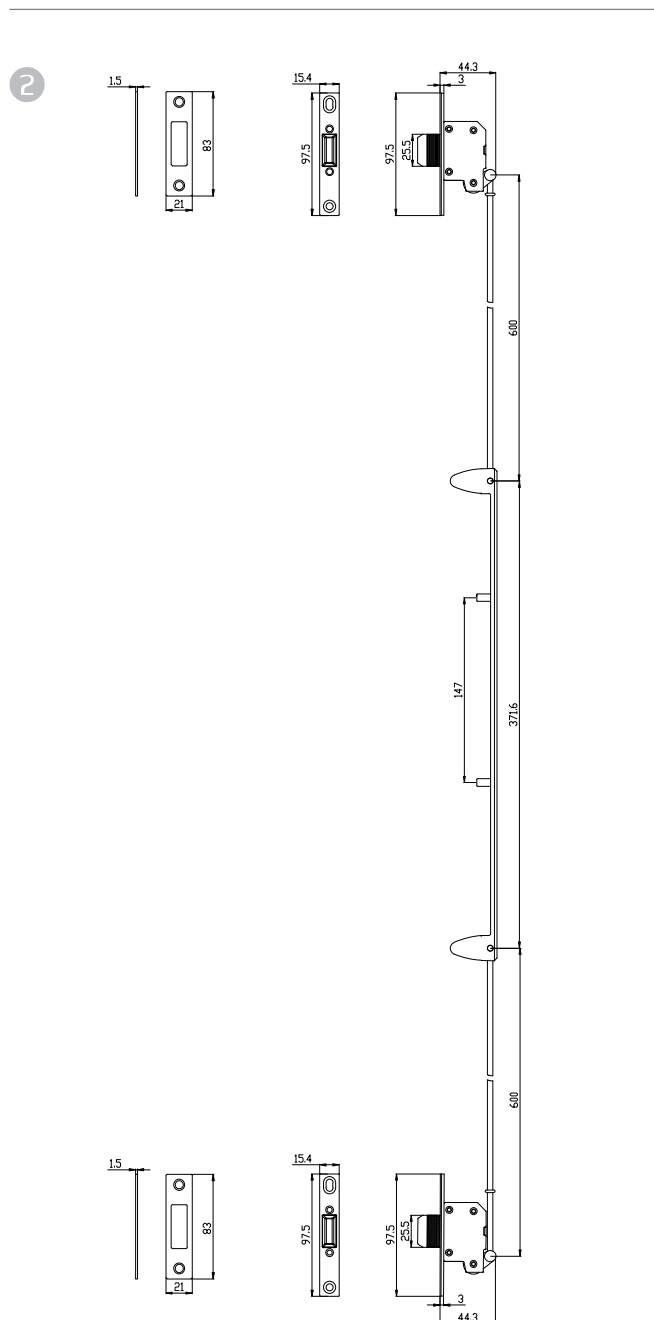
Standard Colours

Black	BK
* Brown	BR
* Primrose	PR
* White	WH

* **Note:** Special colours available on request

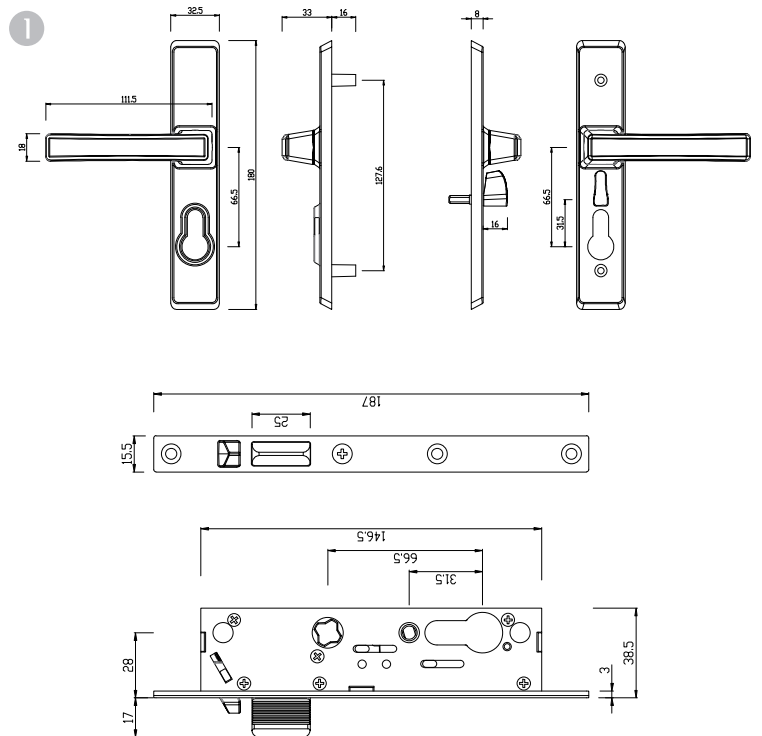
3 Point Kits

Black (Standard) BK



Features and Specifications

- Two choices of contemporary styled furniture
- Serrated locking bolt provides extra grip against forced entry
- Furniture is non-handed - suits left-hand and right-hand doors
- 3 point kits for additional security available - fit above or below door centre
- Fits industry standard cut outs
- Zinc diecast furniture
- Large ergonomically designed inside snib lever
- Pressed steel lock body and face plate – provides additional strength
- Lock tested and conforms to the relevant requirements of Australian Standards AS4145.2 - 2008 to physical security level S7 and durability level D6
- Standard strength lock tested and passed on security screen doors in accordance with Australian Standard AS5039 - 2003 : Security Screen Doors and Security Window Grills and AS5041 - 2003 : Methods of Test
- Easy installation
- Mortice lock with inside snib lever
- Key overrides snib application
- Automatic latching
- Operation with Archie Euro profile floating cam cylinders
- Suit standard 20 mm door thickness
- Stainless steel strikes
- Only trade pack option available



Item Numbers

- 1 **AHSLSTSQ-BK** ARCHIE HINGE SEC. LOCK STD.SQ. BLACK
- 2 **AH3PST00-BK** ARCHIE HINGE SEC. LOCK STD.3 POINT KIT

*(BK) Refer to Standard Colours

S H L M E S H

ARCHIE®



SAFESELECT®

Sliding Security Door Solution

WE CARE FOR YOUR SAFETY

10 YEAR MECHANICAL WARRANTY

www.archiehardware.com

S H L M E S H

SHL MESH DISTRIBUTORS PTY LTD

UNIT 5 / 32-36 DUNHEVED CIRCUIT, ST MARYS, NSW, 2760

Telephone: 02 9311 3844 Facsimile: 02 9311 3866 Email: shlmesh.orders@gmail.com

Sliding Security Door Lock - Standard Range

Application/Description

Single or Multi point hinged security or screen door lock, with **SAFESELECT**® Snibbed/Dead Lock Options for additional safety.

Standard Colours

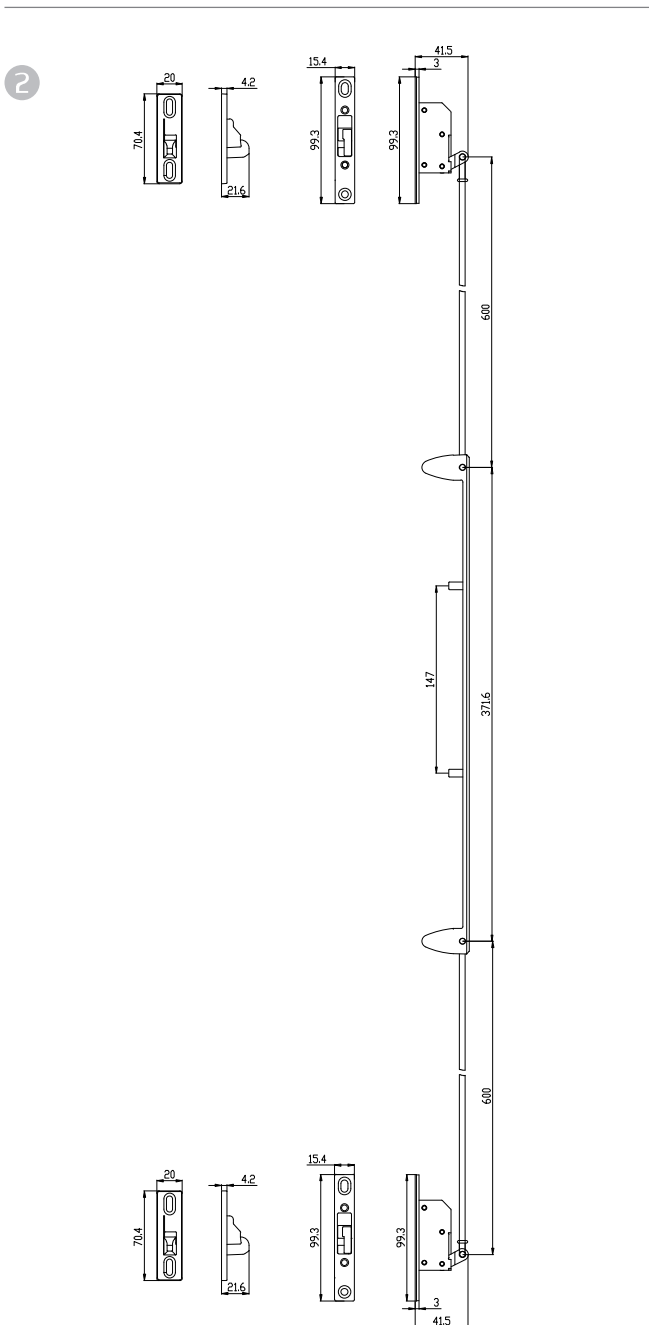
Black	BK
* Brown	BR
* Primrose	PR
* White	WH

* **Note:** Special colours available on request

3 Point Kits

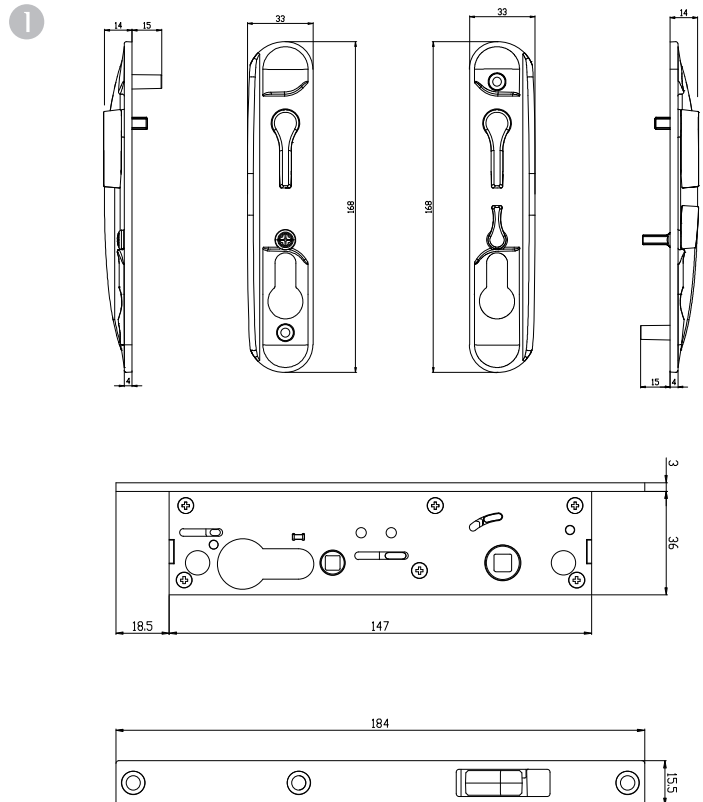
Black (Standard)

BK



Features and Specifications

- Two choices of contemporary styled furniture
- Suits left or right hand closing sliding doors
- Hook beak deadlock
- Deadlocking from both sides, with key
- Self latching
- Ergonomically designed inside snib lever
- Key overrides snib operation
- Operation with Archie Euro profile floating cam cylinders
- Optional Multi Point kits available for 3 point applications
- Fits industry standard cut outs
- Retrofit Multi Point kits available for 3 point applications
- Zinc diecast furniture
- Pressed steel lock body and face plate – provides additional strength
- High strength lock and 3 point locks have Stainless Steel keepers and Hook beaks
- Locks tested and conforms to the relevant requirements of Australian Standards AS4145.2 - 2008 to physical security level S7 and durability level D6
- High strength lock tested and passed on security screen doors in accordance with Australian Standard AS5039 - 2003: Security Screen Doors and Security Window Grills and AS5041 - 2003: Methods of Test
- Only trade pack option available

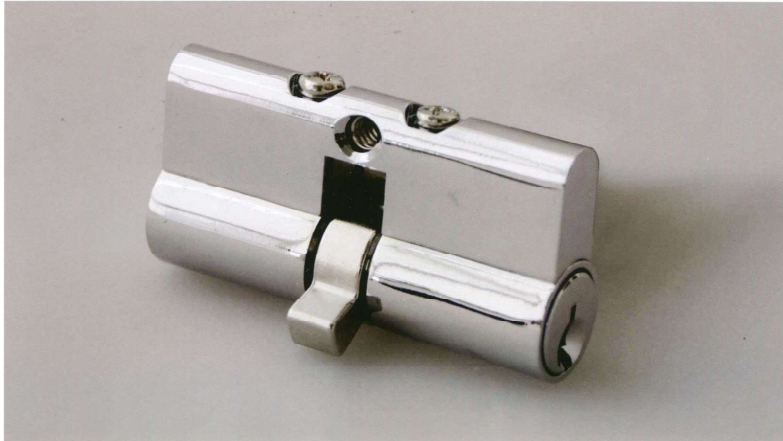


Item Numbers

- 1 **ASSLSTRO-BK** ARCHIE SLIDING SEC. LOCK STD.RND. BLACK
- 2 **AS3PST00-BK** ARCHIE SLIDING SEC. LOCK STD.3 POINT KIT

*(BK) Refer to Standard Colours

Cylinder – Euro Profile Floating Cam



Application/Description

Cylinder to suit Archie Sliding and Hinge security, safety, barrier and screen door lock range.

Standard Colours

Chrome CP
Brushed Chrome BC

Keying

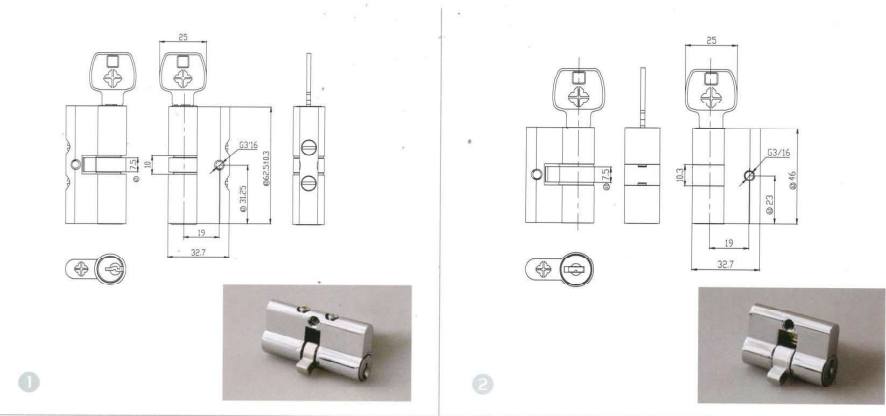
Two chrome plated brass keys included

Two versions available:

- 5 pin, C4 key profile cylinder, can be keyed alike to other 5 pin C4 cylinders
- 10 wafer, profile cylinder

Features and Specifications

- Available in Bright Chrome
- Brass cylinder available in Brushed Chrome
- Double cylinder, C4 key profile
- Brass and zinc die-cast materials
- Only trade pack option available



APCYRKA-CP	ARCHIE 5 PIN CYLINDER - RANDOM KEYED ALIKE 10
APCYST00-CP	ARCHIE 5 PIN CYLINDER - KEYED TO DIFFER
AWCYRKA-CP	ARCHIE 10 WAFER DISC CYLINDER - RANDOM KEYED ALIKE 10
AWCYST00-CP	ARCHIE 10 WAFER DISC CYLINDER - KEYED TO DIFFER

PAINT BRUSHES

Flat Red Handle

Code	Size	Pack	Ctn
BFR25	25mm	12	1200
BFR38	38mm	12	600
BFR50	50mm	12	720
BFR63	63mm	12	300
BFR75	75mm	12	240
BFR100	100mm	12	240



Unpainted Handle White Bristle

for: waterproofing
 marine
 industrial

Code	Size	Pack	Ctn
BW25S	25mm	12	600
BW38S	38mm	12	600
BW50S	50mm	12	240
BW63S	63mm	12	300
BW75S	75mm	12	360
BW100S	100mm	12	240



Lining Fitch

Pure bristle paint brush

Code	Size	Pack	Ctn
BLF12	12mm	12	2400
BLF18	18mm	12	1200
BLF25	25mm	12	1200



Paint Stirrer Plastic

Code	Size	Ctn
SP	30cm	220



PAINT ROLLERS

230mm Paint Roller Range

Code	Description	Ctn
Roller Frames		
RFH230	230mm Heavy Duty Frame	48
Roller Covers		
RCFM-6	230mm x 10mm, Pack 6	20



180mm Paint Roller Range

Code	Description	Ctn
Roller Frames		
RF180	180mm Deluxe Frame	48
Roller Covers		
RCT1810	180mm x 10mm	240



130mm Paint Roller Range

Code	Description	Ctn
Roller Frames		
RF130	130mm Deluxe Frame	60
Roller Covers		
RCFM130-6	130mm x 10mm, Pack 6	20



110mm Paint Trim Roller

Code	Description	Ctn
RFT110	110mm Trim Roller	50
RCT110-2	110mm Fabric Covers Pack 2	2



75mm Paint Trim Roller

Code	Description	Ctn
RFT75-2	75mm Paint Roller + 2 Fabric Covers	48
RCT75-2	SET 2, 75mm Fabric Covers	60
RF75	75mm Deluxe frame	24



PLASTIC DROP SHEET 2.6m x 3.5m

Code	Description	Ctn
RDS2635L	2.6m x 3.5m	100

